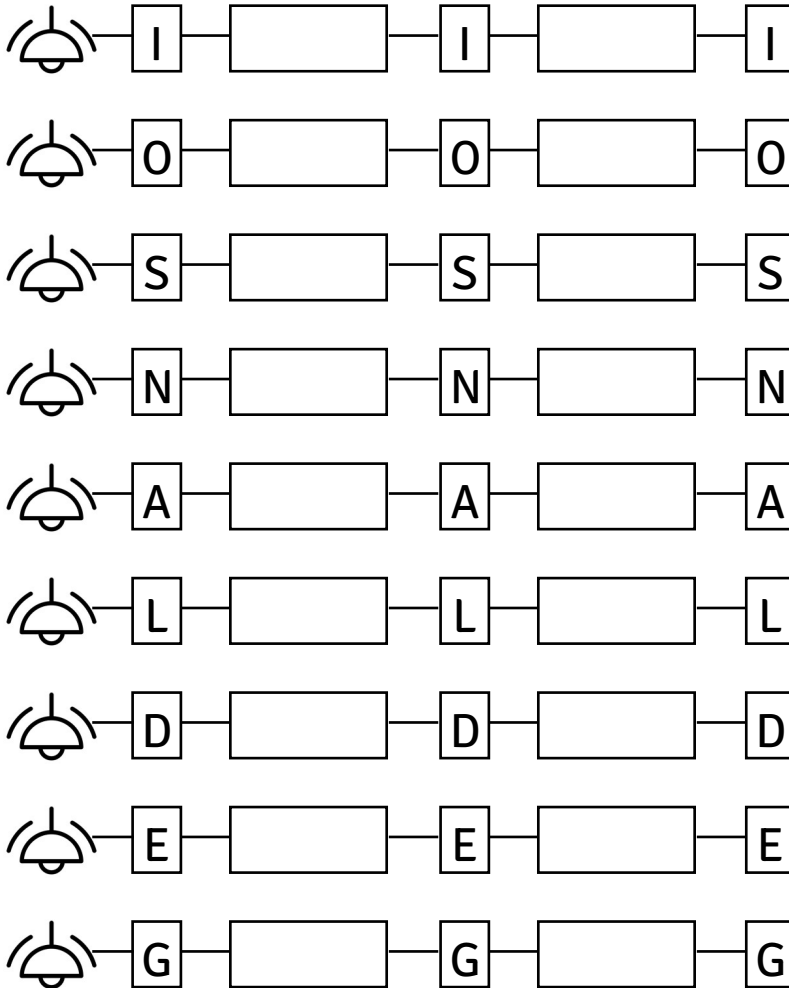




The lamp department is the place to go for bright ideas in home decorating.

Complete the circuit for each of these nine lamps by placing the word bits into the blanks. Some of the bits are missing a letter, which you will need to fill in. The nine “circuit” words and phrases match the clues shown, but the clues are not given in order.



- Bit of income from investments
- Country established on January 1, 1901
- Director of a \$1 billion+ 2023 movie (2 words)
- *Jurassic Park* creature
- Make worse
- Musical work for both orchestra and voices
- Occasionally (3 words)
- Shadowy group
- Small town resident, slangily (2 words)

AURU	DT□E	E□WI	IVI	LI	□LUM
□IN	NAT	OCA	□OKE	OWA	R□
RAT	RB□T	RETA	TE□O	US□R	XAC