


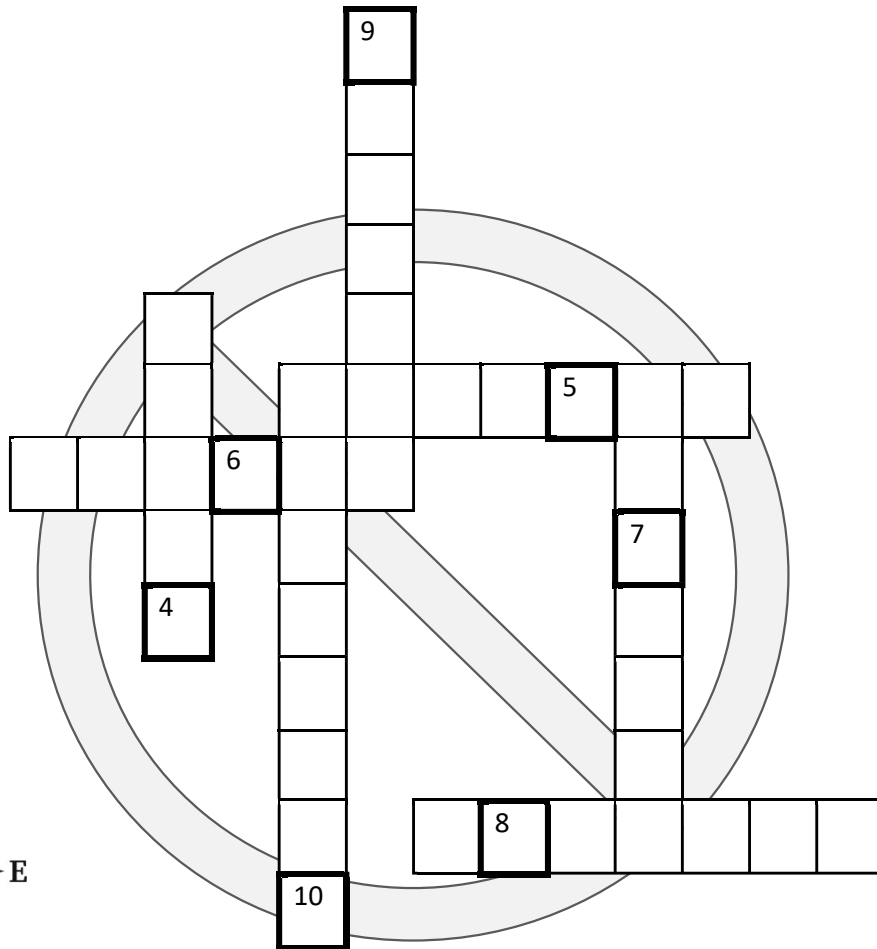
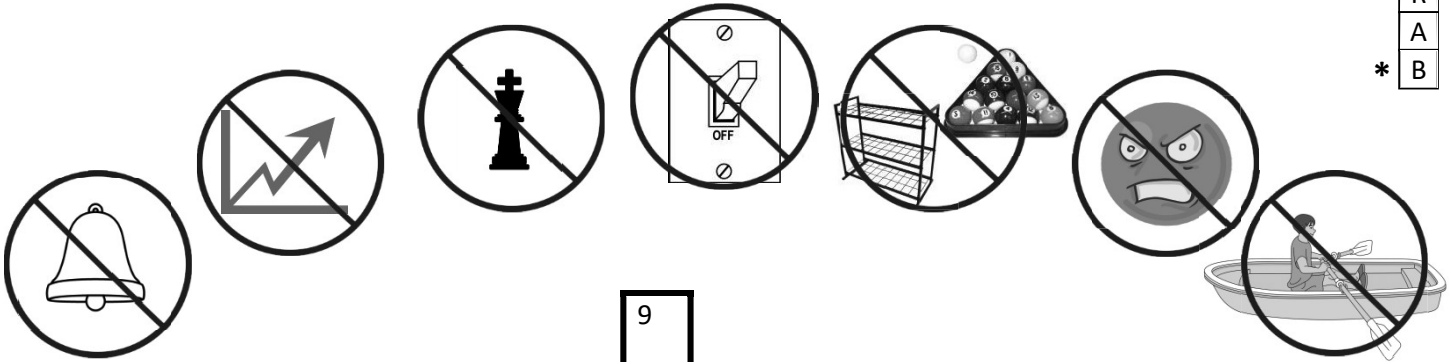
Taboo



In Taboo, the **directions** say you are allowed to give your partner clues that best **encompass** the word you are trying to get them to say, while * you from using certain words.

G
N
I
R
R
A
B

* B



Who likes to break taboos?
