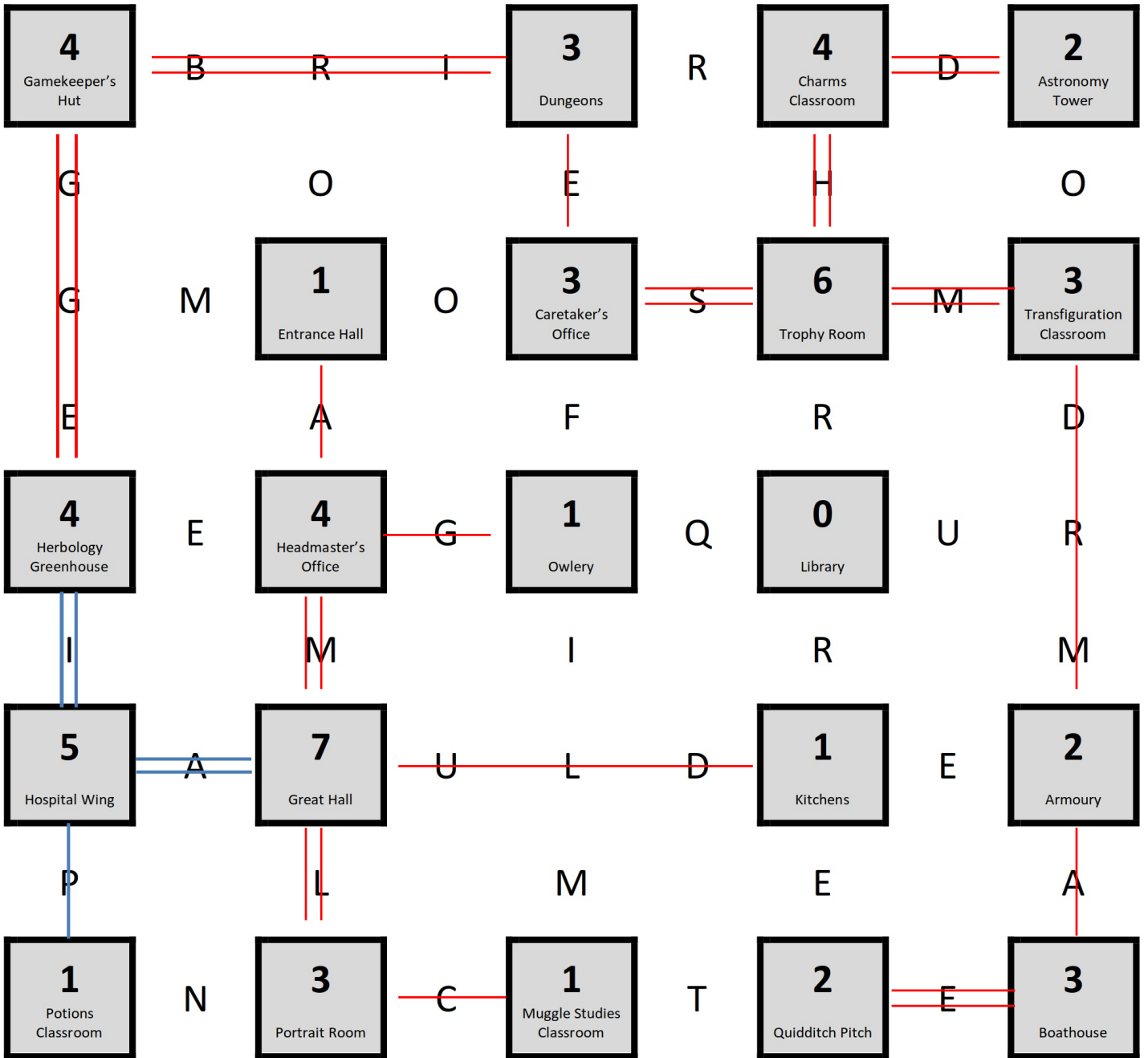




**Puzzled
Pint**
March 2018

Secret Passages

Solve the Hashi Puzzle, then look at the uncrossed letters.



ROOM OF REQUIREMENT