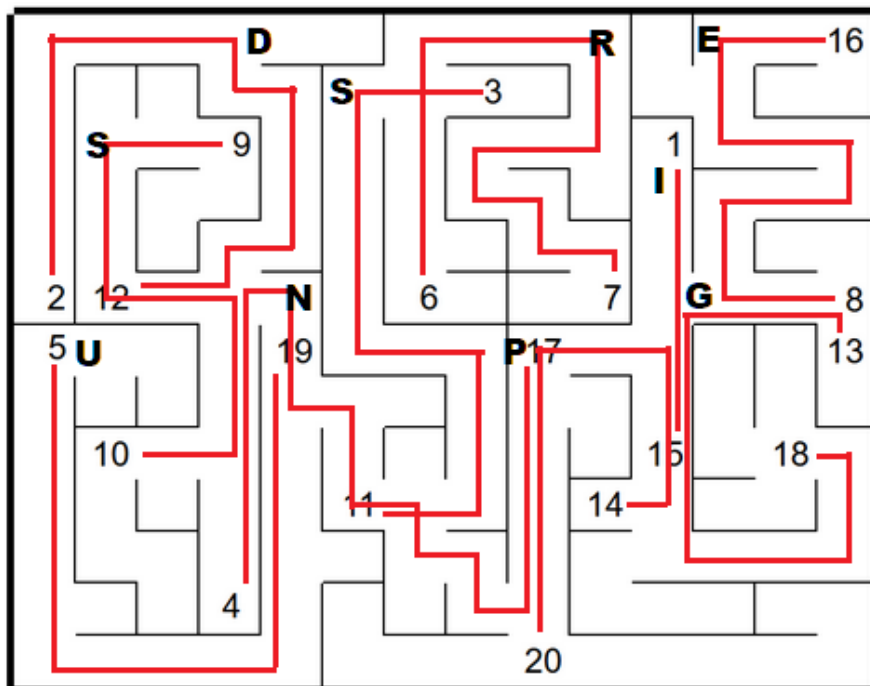


A Pint Of Condiments (Location Puzzle)

We are given a list of 20 food items. These items can be split into 10 pairs, each consisting of a food and a condiment that commonly accompanies it (e.g. pancakes and maple syrup).

1. banh mi	15. sri racha
4. falafel	17. tahini
5. fried fish	19. tartar sauce
7. ice cream	6. hot fudge
10. pancakes	9. maple syrup
11. popcorn	3. butter
12. pulled pork	2. BBQ sauce
13. samosa	18. tamarind chutney
14. sashimi	20. wasabi
16. swedish meatballs	8. lingonberry jam

After pairing up the items, we can connect their corresponding numbers in the provided maze. Doing this draws out letters.



Reading the drawn letters from left to right, top to bottom spells out the answer **DRESSING UP**.

Ketchup

We're given six crossword style clues, in addition to two sets of 26 words labelled by letters from A - Z. Looking at the words, we can notice that it's possible to pair up words on the left and right to get two words which, when pronounced together, sound like a third word. For example (as clued by the flavortext), we can match CATCH on the left with UP on the right to get (what sounds like) KETCHUP.

Doing this, we can find answers to all six clues:

The Great British ___

BAKE-OFF = BAY (M) + COUGH (S)

Like undercover police officers

PLAINCLOTHES = PLANE (I) + CLOSE (P)

Carrie (2013) or The Parent Trap (1998)

REMAKE = REAM (S) + ACHE (R)

Tron: Legacy or The Dark Knight

SEQUEL = SEEK (T) + WILL (O)

Supposed, derogatorily

SO-CALLED = SOAK (E) + AULD (U)

West coast NBA team

WARRIORS = WORE (R) + YEARS (T)

Reading the letters corresponding to the words on the left, we get our first answer **MISTER**.

Reading the letters corresponding to the words on the right, we get our second answer

SPROUT.

Mustard

We can solve the logic puzzle and figure out which room each suspect was in at each time (for a full walkthrough of the solution to the logic puzzle, see below).

Person	6-7PM	7-8PM	?	8-9PM	9-10PM	?
Mrs. White	Kitchen	Library	S	Library	Dining Room	R
Ms. Scarlett	Dining Room	Billiard Room	M	Billiard Room	Ballroom	A
Colonel Mustard	Library	Study	O	Hall	Ballroom	D
Mr. Green	Hall	Billiard Room	K	Billiard Room	Study	I
Ms. Peacock	Lounge	Ballroom	E	Library	Study	O
Prof. Plum	Hall	Ballroom	D	Library	Kitchen	S

As clued by the highlighted word “flag” and the layout of Mr. Boddy’s mansion, we can convert each of the two pairs of locations (before and after the murder) each suspect was into a letter by using semaphore. Doing so gives us the two answers **SMOKED** and **RADIOS**.

Walkthrough:

- From the last clue, we can put Mustard in the Hall from 8-9 and in the Ballroom (for his subsequent dance) from 9-10.
- Since Ms. Scarlett danced with Colonel Mustard in the Ballroom, we can place Scarlett in the Ballroom from 9-10.
- The Ballroom was closed from 6-7 and 8-9, and occupied by Mustard and Scarlett from 9-10. This means that the dance between Peacock and Plum must have occurred from 7-8.
- Peacock was in the Lounge before her dance, so she must have been in the Lounge from 6-7.
- Since the Study was closed from 6-7 and 8-9, and since Peacock was in the Ballroom from 7-8, Green and Peacock must have met in the Study from 9-10.
- We can now conclude the culprit is Mrs. White:
 - Mustard heard the culprit in an adjacent room, so cannot be the culprit.
 - Scarlett and Green were together from 7-9, so cannot be the culprit (the culprit was alone before the murder happened at 8).
 - Peacock and Plum were also together from 7-8, so cannot be the culprit.
- Peacock and Plum must be the pair of people who walked in on the culprit (White) after the murder (from 8-9).

- This means Plum was not alone from 8-9. This means he must have picked up White's note in the Kitchen from 9-10 (since the kitchen was never occupied by more than one person).
- Since the Kitchen and Dining Room are always simultaneously occupied, White must be in the Dining Room from 9-10.
- White was in the Kitchen (leaving a note for Plum) some time before the murder. White was in the same room from 7-8 and 8-9, and not alone from 8-9 (Peacock and Plum walk in on her). Since the Kitchen is only solely occupied, this means White was in the Kitchen from 6-7.
- Mustard was alone in the Hall from 8-9, so the meeting between Green and Plum in the Hall must take place from 6-7 (Plum is already accounted for between 7-8 and 9-10).
- Someone must visit the Dining Room from 6-7 (since White visits the Kitchen then). It is Ms. Scarlett:
 - The Dining Room cannot be the scene of the crime (since it is only ever solely occupied, and at some point three people enter the scene of the crime).
 - Colonel Mustard must have been visiting the scene of the crime from 6-7 (since the culprit was alone with Mr. Boddy during 7-8).
 - The other people are all accounted for already from 6-7.
- Scarlett and Green were together in the Billiard Room from 7-9.
 - They cannot have been together in the Study, Hall, Lounge, Dining Room, Kitchen, or Ballroom, because those rooms were visited by other people or at other hours.
 - They cannot have been together in the Library, since that room was visited for a 5 total hours, whereas the room they were in was visited for a total of 4 total hours (by them).
 - This leaves the Billiard Room.
- The scene of the crime must now be the Library (in order for five of the remaining six hours to be spent in the Library). These five hours are: 1. Mustard in the Library from 6-7 (the first to be at the scene of the crime), 2. White in the Library from 7-8 (committing the crime), 3. White, Peacock, and Plum in the Library from 8-9 (Peacock and Plum walk in on White).
- Mustard was in a room directly adjacent to the Library from 7-8. It cannot be the Billiard Room (only Green and Scarlett visit the Billiard Room), so it must be the Study.

Mayonnaise

We're given a set of 12 calendars (each containing a number) along with 12 crossword clues. Each crossword clue has an answer which contains a 3 letter abbreviation for a month (for example, the answer to "Animal with many supposed plurals" is OCTOPUS, which contains the abbreviation OCT).

Indian mathematician portrayed in *The Man Who Knew Infinity* (9)
Item in short supply in a tragic 1912 event (4 4)
Maxwell of 1960s TV (5)
Three-quarter length pants (6)
[Puzzle title] (10)
Oscar-winning film starring Elliot Page (4)
WikiLeaks founder Assange (6)
It's canned in some sitcoms (8)
Common order from Domino's or Little Caesar's (6 5)
Animal with many supposed plurals (7)
Foe of Roger and Rafael (5)
Like trees with colorful leaves in Autumn (9)

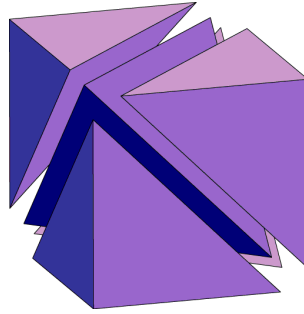
RAMANUJAN
LIFE BOAT
SMART
CAPRIS
MAYONNAISE
JUNO
JULIAN
LAUGHTER
CHEESE PIZZA
OCTOPUS
NOVAK
DECIDUOUS

Each month appears in exactly one clue. If we reorder the answers in the order of the months (JAN, FEB, MAR...) and index the number appearing on the corresponding calendar, we obtain our two answers for this puzzle, **MISSION** and **TASKS**.

Guacamole

We can fold the four tetrahedral meshes such that the two numbers on each edge are equal.

Once we've folded these, we can assemble them (together with the remaining regular tetrahedron) into a cube as follows:



taking care to still have all of the edges have the same numbers. For example, there are two long edges labeled 10 so they must be together, two long edges labeled 3 so they must be together, etc.

We can now label each of the 8 vertices of the cube by summing the values of the three incident edges and alphanumerically converting (A=1, B=2, etc.). After we do so, we can follow the first path (starting at the square and following the solid arrows) and pass through each vertex once to read off the cube answer, **VULTURES**.

Similarly we can label each of the 4 vertices of the internal tetrahedron, sum the three incident edges of those 4 vertices, and follow the second path (starting at the triangle and following the dashed arrows) to read off the tetrahedron answer, **COLD**

Note that the process for solving the internal tetrahedron part can be done by writing the values of the edges onto the internal tetrahedron and solving it as the cube part was solved, or by noting the edges of the tetrahedron even after the cube is fully taped together. **Both parts of the puzzle can be solved even if the cube is fully taped together and the internal equilateral triangles are no longer visible!**

In particular:

$$\begin{aligned}2 + 1 + 0 &= 3 = C \\10 + 2 + 3 &= 15 = O \\10 + 1 + 1 &= 12 = L \\3 + 1 + 0 &= 4 = D\end{aligned}$$

$$\begin{aligned}8 + 5 + 9 &= 22 = V \\6 + 7 + 8 &= 21 = U \\7 + 0 + 5 &= 12 = L \\6 + 5 + 9 &= 20 = T\end{aligned}$$

$$\begin{aligned}8 + 8 + 5 &= 21 = U \\8 + 8 + 2 &= 18 = R \\2 + 3 + 0 &= 5 = E \\8 + 8 + 3 &= 19 = S\end{aligned}$$

Putting It Together (Meta)

Each pair of answers in this Puzzled Pint has the property that there is a third word that can be inserted in between the two answers so that it forms compound words with both answers; moreover, this third word can also be suffixed with “burger” to get a common type of burger.

For example, for the pair **MISTER** and **SPROUT**, we can add the third word **BEAN** to form the two phrases “Mister Bean” (the British character) and “bean sprout”; moreover, a bean burger is a common type of burger.

MISTER	MISSION	COLD	SMOKED
BEAN	IMPOSSIBLE	TURKEY	HAM
SPROUT	TASKS	VULTURES	RADIOS

Taking the numbered blanks of these answers in order, we obtain the answer to this meta, **RELISH US**.

Salt and Pepper (Bonus)

We solve each grid so that it satisfies the rules described in the puzzle. Once we have done this, the cells containing pepper spell out the answer, **SHAKE**.

1	2	1
3	1	0
1	4	1
0	1	3
1	2	1

1	2	1
1	2	1
0	2	0
1	2	1
1	2	1

1	3	1
2	2	2
0	2	0
1	2	1
1	2	1

1	1	0
1	2	3
0	2	1
0	2	1
1	2	2

0	1	1
1	1	0
0	2	2
1	1	0
0	1	1